

# True fiber pigtailed option for Cobolt lasers

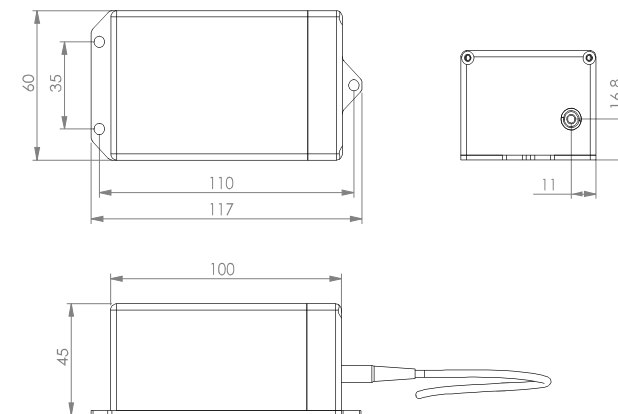
## True fiber pigtailing of high performance SLM DPSS lasers

The Cobolt 04-01 series of compact high performance SLM DPSS lasers can be supplied with an ultra-compact and robust fiber delivery option. The fiber is permanently aligned and fixed inside the hermetically sealed package using Cobolt proprietary HTCure™ Technology, providing stable output over a large temperature range and insensitive to transport conditions. The design is intended for OEM use and type of fiber, connector and lengths can be customized. The coupling efficiency (in to SM/PM fiber) is typically >80%, but output power is specified as out of the fiber.

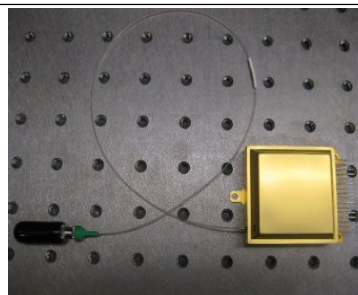
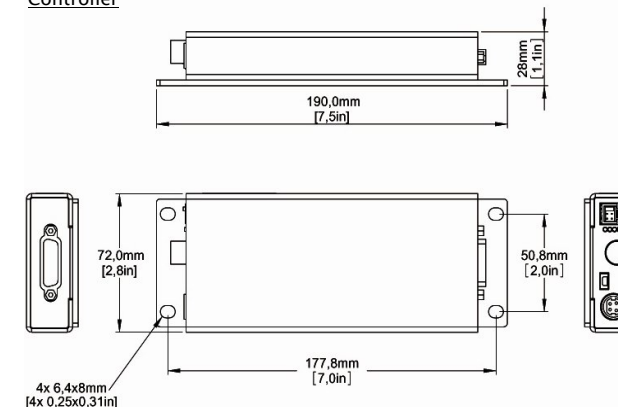
## Specifications

Fiber type*	1 m SM/PM fiber 3 mm jacketing					
NA	0.12					
Polarization maintenance	PER >100:1					
Output connector	FC/APC non-collimated (Customizations available for OEM)					
Wavelength (nm)	473	491	515	532	561	594
Max power (mW) specified as out of the fiber	35	100	100	150	100	75
Power stability (8 hrs, ± 3°)	<3% fluctuations					
Noise	As specified in free-space version					
Total system power consumption	<35 W, typical <15 W					
Operating temperature	10-40°C					
Maximum laser head baseplate temp.	50°C					
Laser head dimensions [mm]	117 x 60 x 45					
Controller dimensions [mm]	190 x 72 x 28					
Communication	RS-232					
Model number structure	wavel-04-03-pwr-300 (CDRH: Keyswitch for on/off) wavel-04-03-pwr-400 (OEM: Auto-start mode)					

### Laser head



### Controller

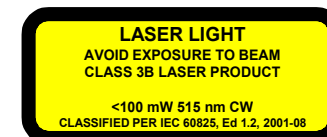


Inner package, hermetically sealed, with fiber permanently fixed inside using Cobolt HTCure™ Technology

\* warranty on fiber against faulty materials and workmanships only

Cobolt AB  
Vretenvägen 13  
SE-171 54 Solna, Sweden  
www.cobolt.se

Switchboard +46 8 545 91 230  
Fax +46 8 545 91 231  
info@cobolt.se



Class 3B (IEC60825-1), IEC60950-1, UL 60950-1